



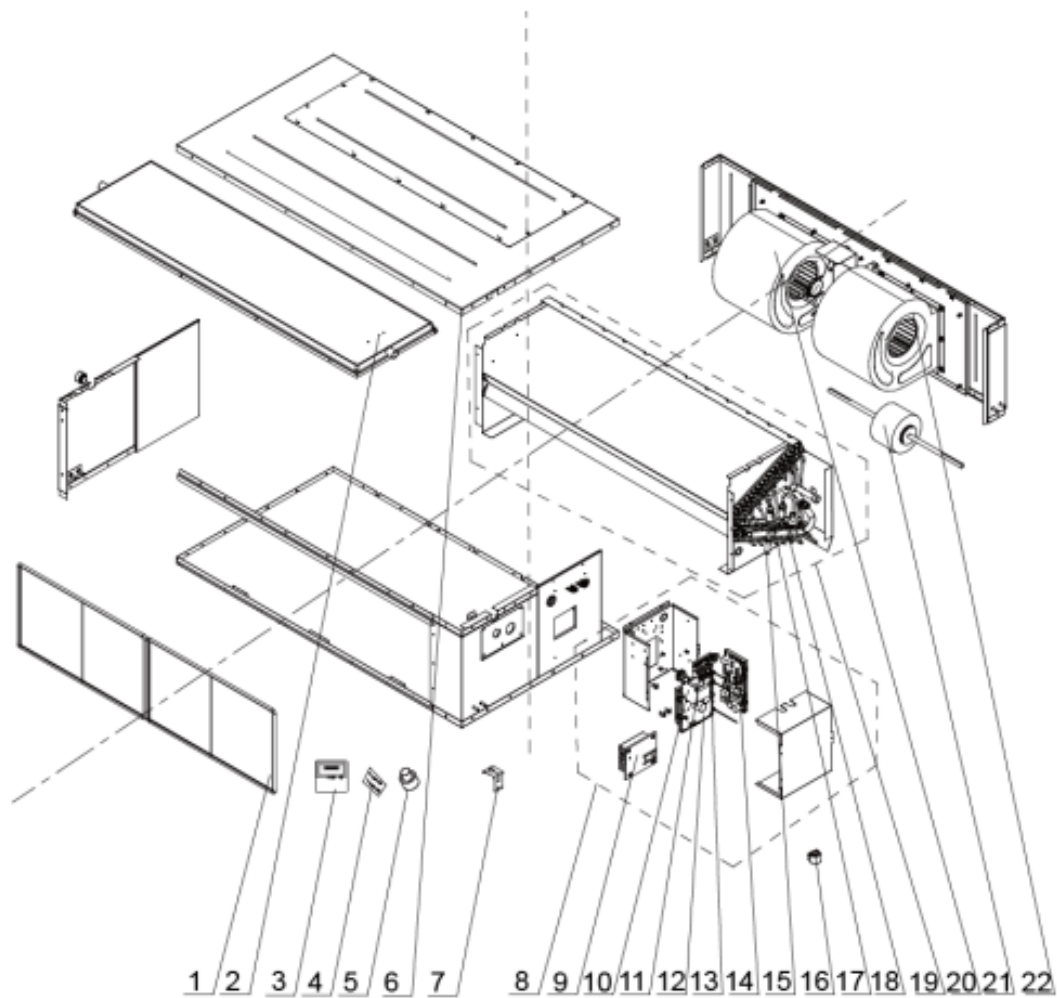
BIG DUCTED

SPARE PARTS LIST

August 2023

FGR20Pd IDU

Exploded View



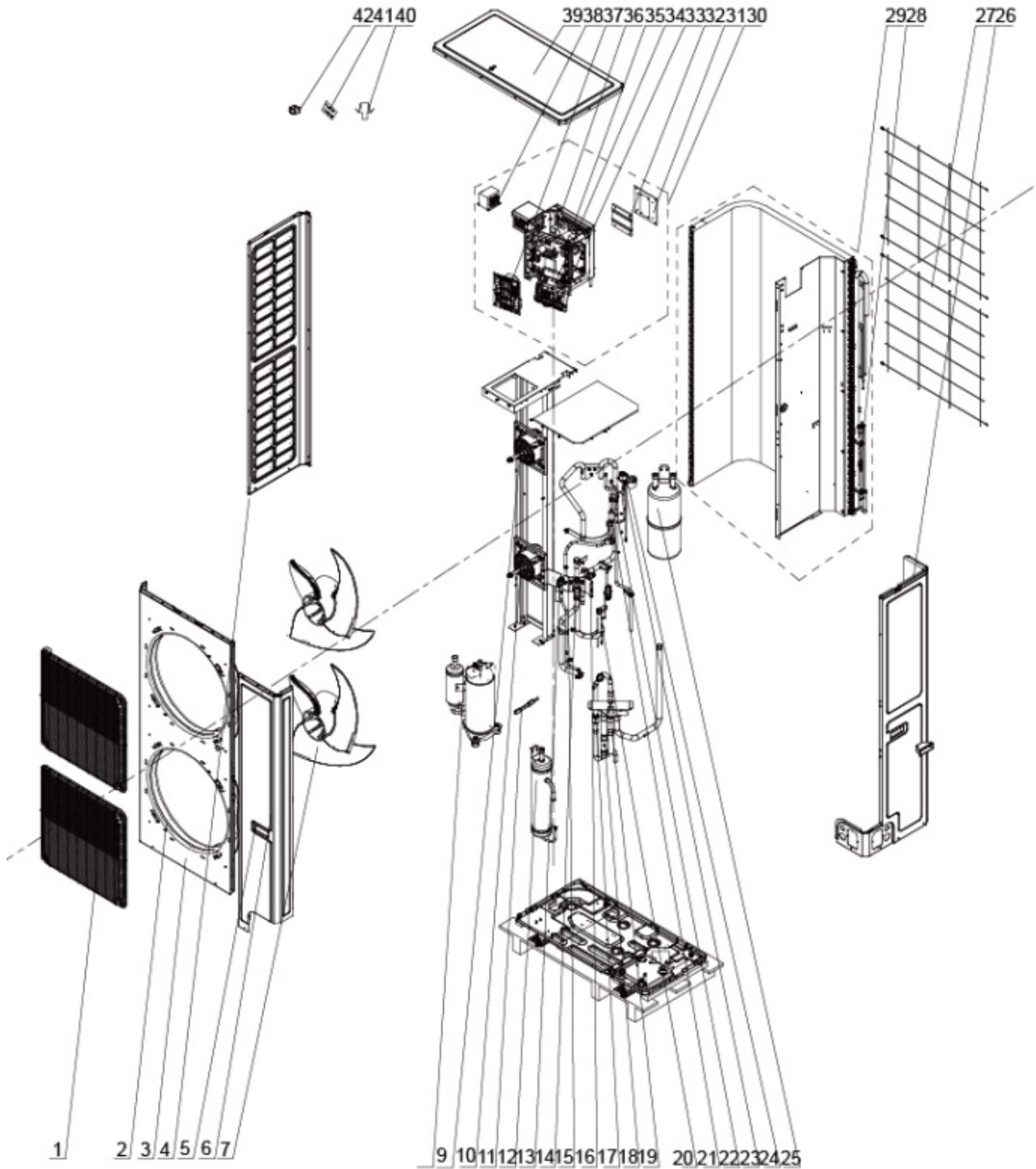
FGR20Pd IDU

Spare Parts List

No.	Part Description	Part Code
1	Filter Sub-Assy	11725211
2	Water Tray Assy	01284620
3	Display Board	30296000040
4	Sensor Sub-assy	390002000058
5	Choke Plug of Water Pipe	76712454
6	Top Cover Board Assy	01265359
7	Hook	02112466
8	Electric Box Assy	100002002010
9	Radiator	49018000068
10	Reactor	43130189
11	Terminal Board	4201800002601
12	Main Board	300002000383
13	Terminal Board	42000100000202
14	Main Board	300002000357
15	Electronic Expansion Valve Sub-Assy	030026000191
16	Electric Expand Valve Fitting	4304413205
17	Strainer	0741410000601
18	Evaporator Assy	011001000372
19	Motor	15705307
20	Brushless DC Motor	15704100009
21	Motor	15705306

FGR20Pd ODU

Exploded View



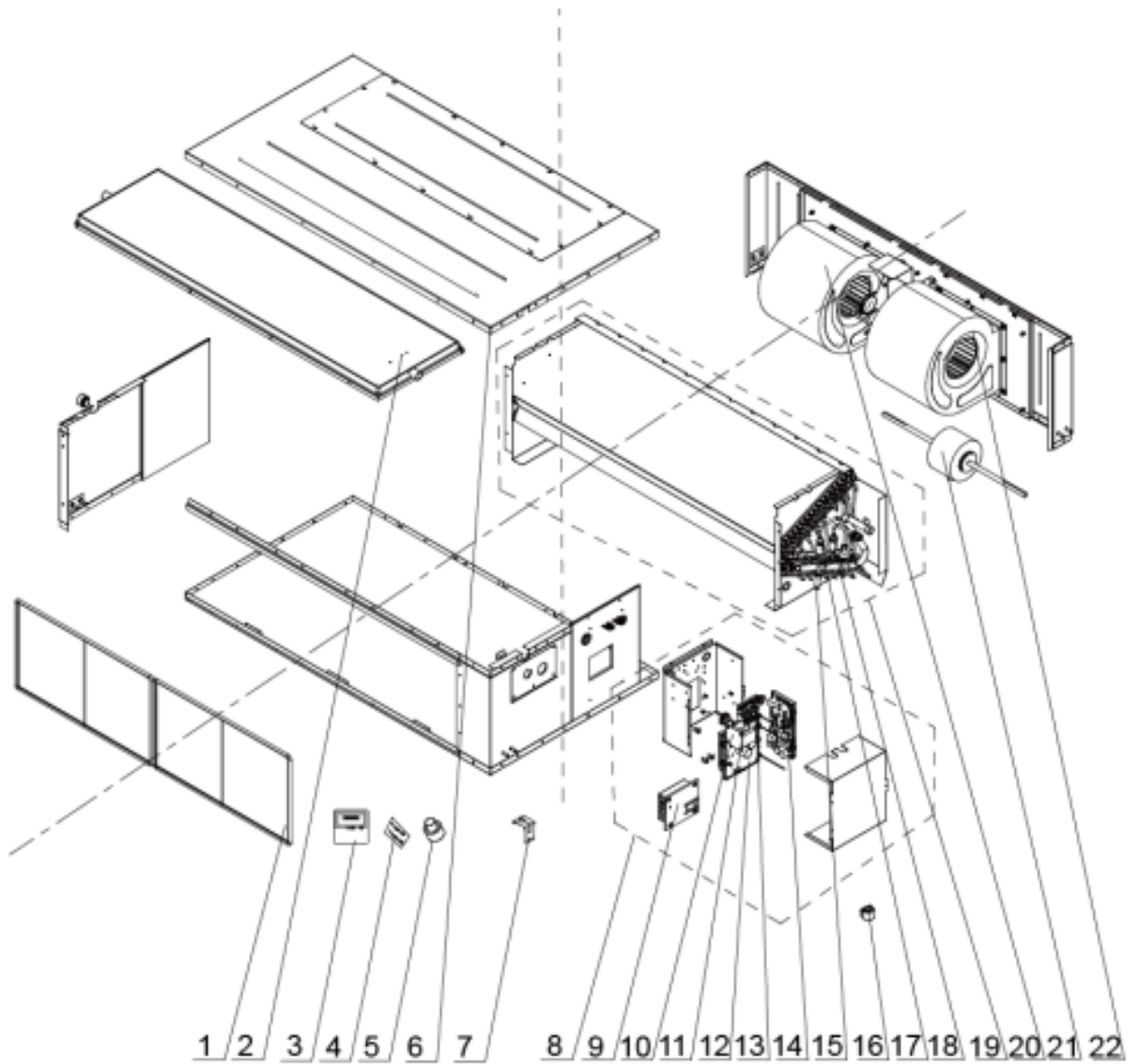
FGR20Pd ODU

Spare Parts List

No.	Part Description	Part Code
1	Front Grill	01572800003
2	Diversion Circle	10474100003
3	Cabinet Assy	01514100015
4	Left Side Plate	01314100084P
5	Handle	26904100016
6	Front Side Plate	01314100082P
7	Axial Flow Fan	10434100006
8	Compressor and Fittings	00204100013
9	Brushless DC Motor	1570280000402
10	Brushless DC Motor	1570280000401
11	Electrical Heater(Compressor)	7651521212
12	Oil Separator	07424105
13	Cut off Valve	07334100011
14	Cut off Valve	07334100054
15	Pressure Protect Switch	4602000902
16	Pressure Protect Switch	46020007
17	One Way Valve	07333700032
18	Strainer	07212402
19	4-Way Valve Assy	030152000217
20	Strainer	07415200002
21	Bidirection Strainer	N/A
22	One Way Valve	07133618
23	Electronic Expansion Valve Sub-Assy	030026000141
24	Electric Expand Valve Fitting	4304413219
25	Gas-liquid Separator	07424140
26	Rear Side Plate	01314100083P
27	Rear Grill	01574100011
28	Strainer	07212403
29	Condenser Assy	000100000042
30	Electric Box Assy	100002001182
31	Radiator	430034000028
32	Radiator	430034000027
33	Terminal board	420001000019
34	Terminal Board	420001000004
35	Main Board	300027000340
36	Main Board	300027000244
37	Filter Board	30223000118
38	Reactor	4313017401
39	Coping	01264100047P
40	Drainage Joint	26113009
41	Sensor Sub-assy	390002000046
42	Magnet Coil	4300040032

FGR24Pd IDU

Exploded View



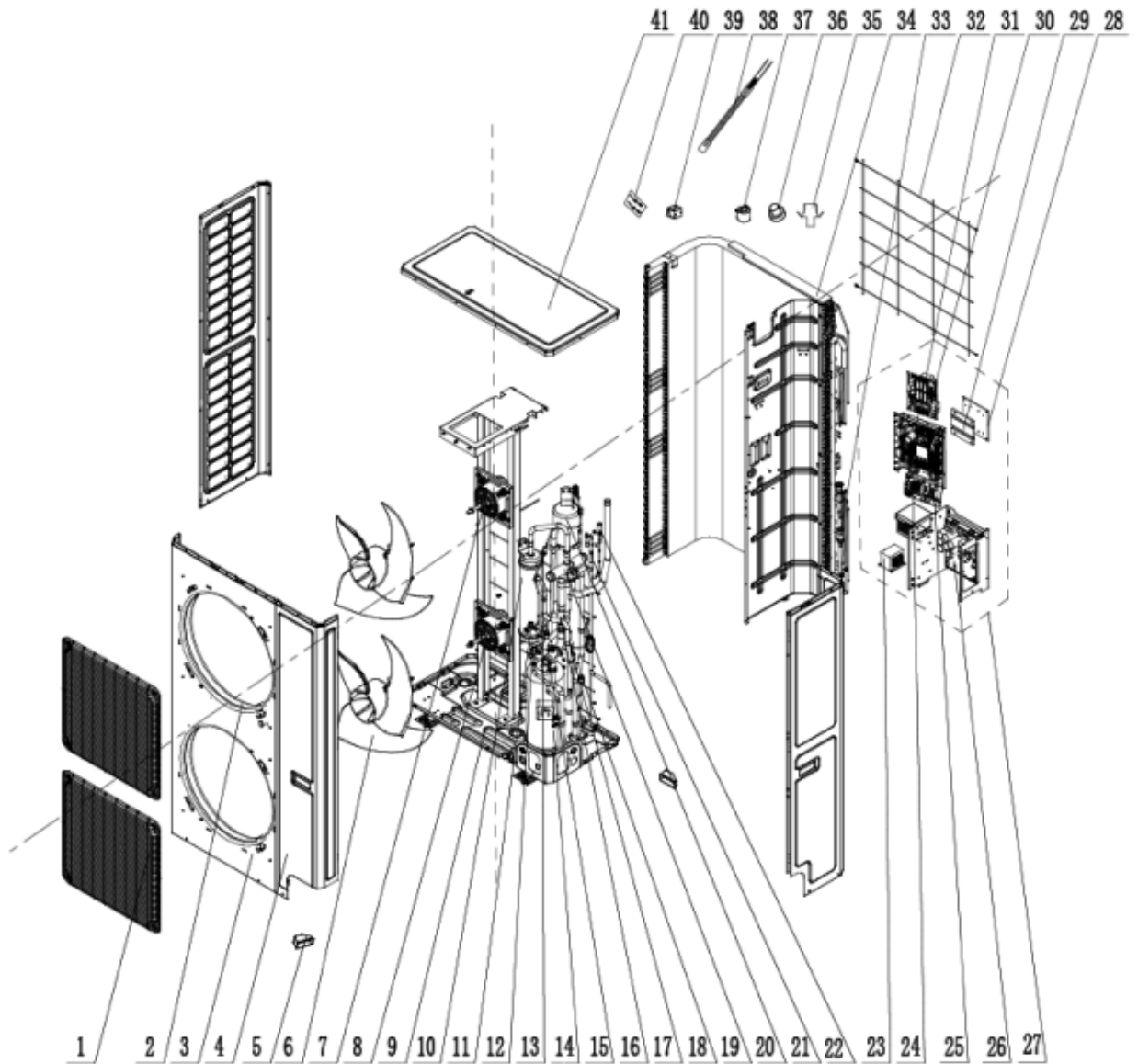
FGR24Pd IDU

Spare Parts List

No.	Part Description	Part Code
1	Filter Sub-Assy	11724102
2	Water Tray Assy	000069060068
3	Display Board	30296000040
4	Sensor Sub-assy	390002000058
5	Choke Plug of Water Pipe	N/A
6	Top Cover Board Sub-assy	017011000037
7	Hook	02112466
8	Electric Box Assy	100002062078
9	Radiator	49018000068
10	Reactor	43130189
11	Terminal Board	42200006000401
12	Main Board	300002000383
13	Terminal board	42000100000202
14	Main Board	300002000357
15	Electronic Expansion Valve	43044100190
16	Electric Expand Valve Fitting	4304413205
17	Strainer	0741410000601
18	Evaporator Assy	011001060297
19	Motor for Centrifugal Fan	10300400004701
20	Brushless DC Motor	15704100009
21	Motor for Centrifugal Fan	103004000047

FGR24Pd ODU

Exploded View



FGR24Pd ODU

Spare Parts List

No.	Part Description	Part Code
1	Front Grill	01572800003
2	Diversion Circle	10474100003
3	Cabinet Assy	01514100023
4	Front Side Plate	01314100091P
5	Handle	26235253
6	Axial Flow Fan	10434100008
7	Brushless DC Motor	15704100010
8	Brushless DC Motor	1570410001001
9	Chassis Assy	209058000011
10	Oil Separator	07424100050
11	Cut off Valve	07130208
12	Cut off Valve	07334100013
13	Strainer	07415200002
14	Compressor and Fittings	00204100015
15	Cut off Valve	07334100014
16	Strainer	07414100024
17	Pressure Protect Switch	46020006
18	Pressure Protect Switch	46020007
19	4-Way Valve Assy	030152000233
20	Gas-liquid Separator	07424100048
21	One way Valve	04324001
22	Electronic Expansion Valve Sub-Assy	030026000187
23	Reactor	4313017401
24	Terminal Board	42000100000401
25	Terminal board	420001000019
26	Main Board	30223000039
27	Electric Box Assy	100002062075
28	Radiator	49018000080
29	Radiator	49018000088
30	Filter Board	30223000118
31	Main Board	300027000244
32	Front Grill	01572800003
33	Filter	0341010701
34	Condenser Assy	011002000581
35	Drainage Joint	26113009
36	Drainage hole Cap	76715005
37	Electric Expand Valve Fitting	4304413205
38	Electric Heater(Compressor)	7651540714
39	Magnet Coil	4300040032
40	Sensor Sub-assy	390002000027
41	Coping	01264100052P

It is the policy of Gree Australia to introduce continuous product improvements.
Accordingly, specifications are subject to change without notice.
Please consult with your dealer to confirm the specifications of the model selected.

1800 473 346
greeac.com.au

